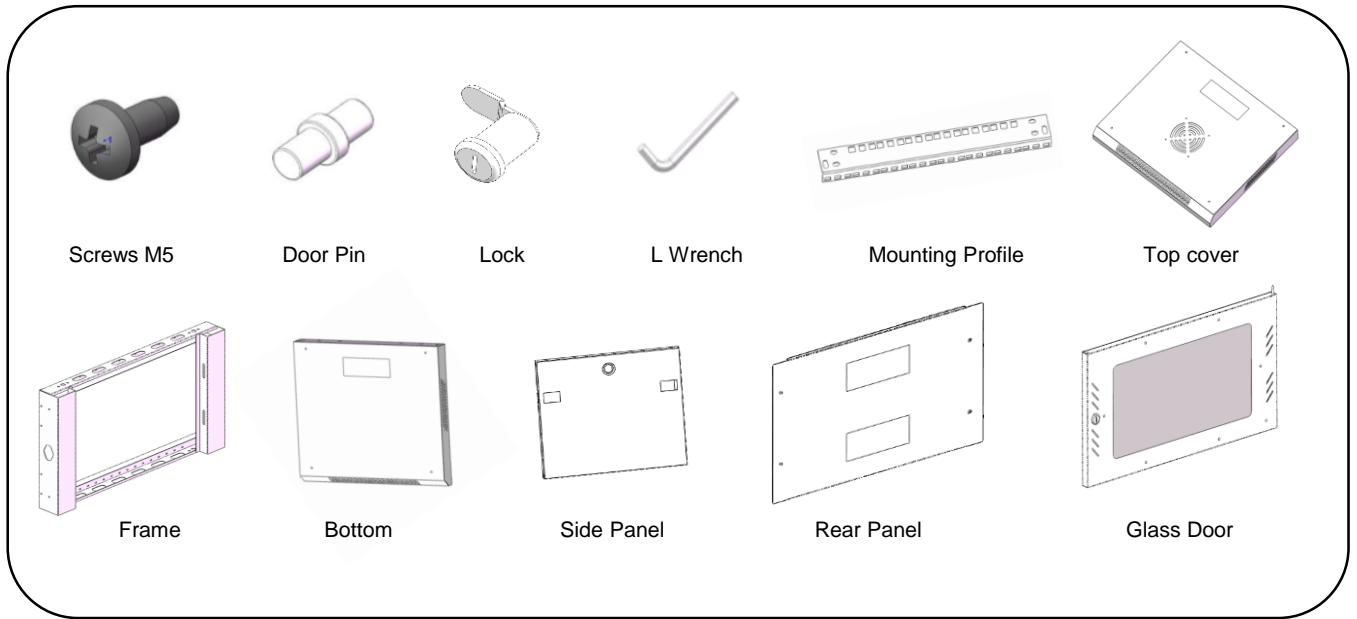
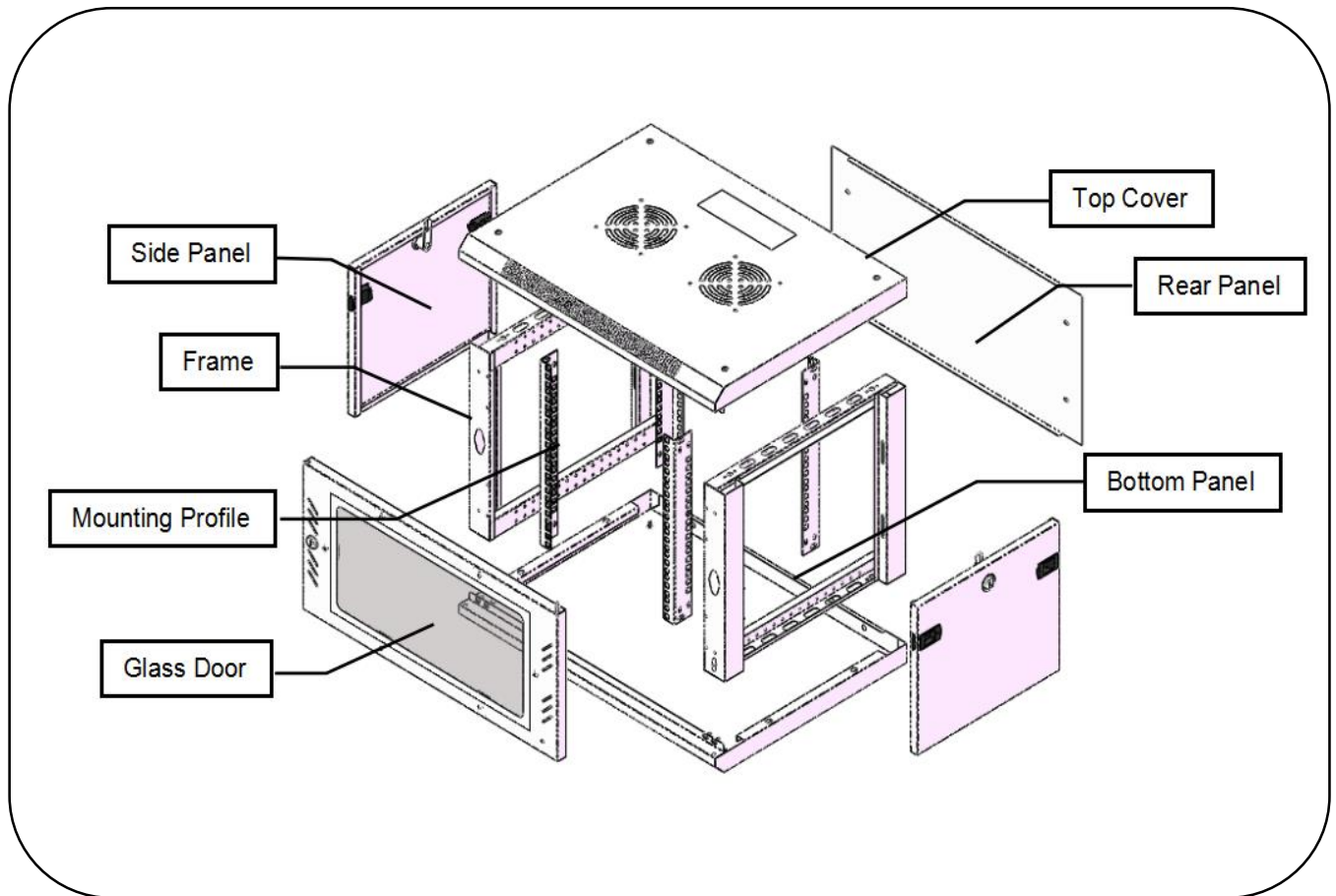


Assembly instructions

Assembly packing list

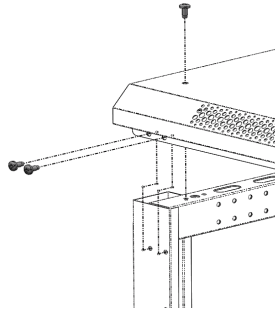
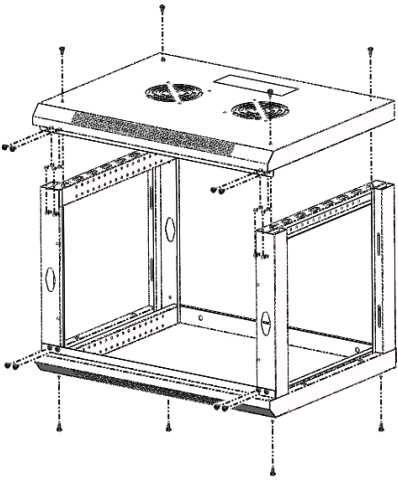


Exploded-View;

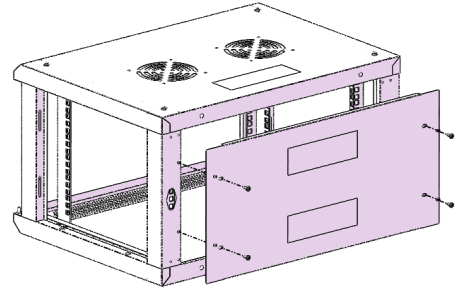


Assembly instructions

Step 1: Fix the frame;

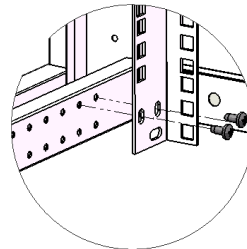
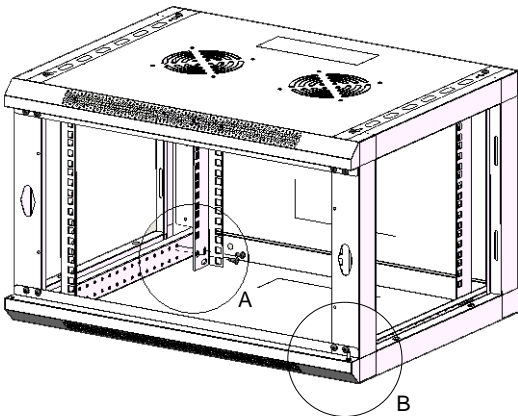


Fix the top cover and bottom with 8pcs screws; Then fasten front frame with 8pcs screws.



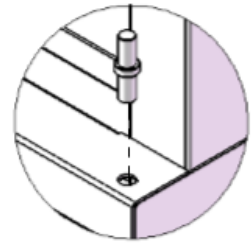
Fix the rear panel with 4 screws.

Step 2: Fix the mounting profile;



A Detail

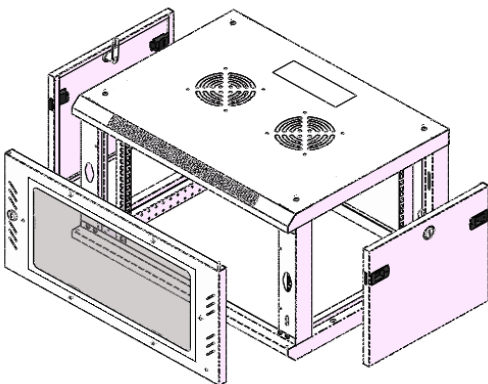
Fix the mounting profile With screws.



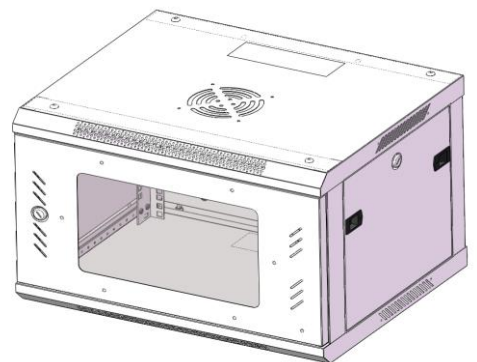
B Detail

Fix the door pin.

Step 3: Fix the door and panel;



Fix the door; Lastly install the side panels.



Complete! Thank you!