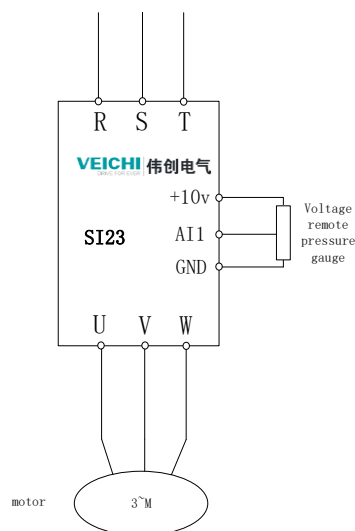


# SI23(6907) constant pressure water supply guidance document

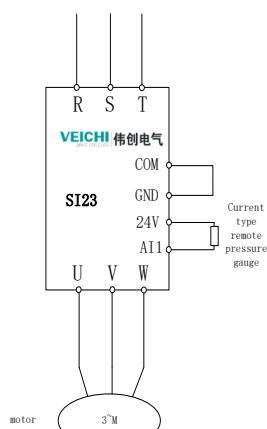
**Note:** Use pressure controller to do constant pressure water supply, inverter is only the actuator, this document is not applicable.

## 一、 Remote pressure gauge wiring diagram

### 1、 Voltage type pressure gauge 1.0Mpa(0-10V)



### 2、 Current type pressure gauge 1.0Mpa(4-20MA)



Remember to dial AI1 on the current side for current type pressure gauges. For voltage type remote pressure gauges, dial AI1 for the voltage side.

Switch Terminal	Selecting Position	Function Specification
RS485 OFF <input type="checkbox"/> ON <input type="checkbox"/>	RS485 Terminal Resistor	RS485 Communication :connect with 120Ω terminal
AO-F OFF <input type="checkbox"/> ON <input type="checkbox"/>	AO Output- frequency	AO2: 0.0~100kHz frequency output
AO-I OFF <input type="checkbox"/> ON <input type="checkbox"/>	AO Output- Current	AO2: 0~20mA current output or 4~20mA current output
AO-U OFF <input type="checkbox"/> ON <input type="checkbox"/>	AO Output- Voltage	0~10V voltage output
AI1 U <input type="checkbox"/> I <input type="checkbox"/>	AI1 Input- Current/Voltage	AI1: Input 0~20mA or 0~10V
AI2 U <input type="checkbox"/> I <input type="checkbox"/>	AI2 Input- Current/Voltage	AI2: Input 0~20mA or 0~10V

## 二、Parameter Setting:

For new machine commissioning, please set F00.19=2 to initialize the inverter once.

No.	Function Name	Set value	Note
F00.02	Run command channel	0	0: Keypad Control 1 : Terminal Control
F00.03	Frequency given source channel A	8	PID Control Given
F11.00	PID Controller given signal source	0	Keypad digit PID
F11.03	PID controller feedback signal source	2	AI1
F11.01	Keyboard digit PID given ( Target pressure value )		For example, if you want 2 kg pressure, here set 20%, if there is a difference, please fine-tune this value
F11.29	Sleep selection	1	sleep start
F11.30	Sleep frequency	10	When the sleep function of constant pressure water supply is effective, the output frequency of PID adjustment is lower than the set sleep frequency and enters the sleep state after the sleep delay.
F11.31	Sleep delay		

F11.32	Wakeup bias		When the PID feedback characteristic is positive, increase the value to quickly exit the hibernation
F11.33	Wakeup delay		

**Debugging guidance:** Press and hold PRG for two seconds, C00 will appear, press SET to enter C00.00, press the up arrow to **C00.09** to view the PID feedback (feedback pressure value), **C00.08** is to monitor the target pressure value.

**If the pressure is not enough, increase F11.01 (target pressure input value)**

### Frequently Asked Questions Answer:

**Problem 1: The frequency on the panel rises very slowly**

When we set the target pressure value and the feedback pressure value is very different, the faster the frequency rises, when our target pressure value and the value of the feedback pressure is very close, it means that this time has almost reached our set pressure, this time the frequency on the panel rises very slowly

**Problem 2: The water intake is not enough during the peak period**

Check whether the inverter has been 50 Hz operation, you can also run over the frequency, F00.09 = F00.11 = 60, listen to the sound of the motor, over-frequency operation is quite harmful to the motor, it is recommended to use with caution. Also determine whether the rated speed of the motor 2980 above, if so, set the motor parameters F05.04 = 2980, if not, either the water inlet is blocked, or the pump head is not enough, it is recommended to change the pump and inverter for a larger