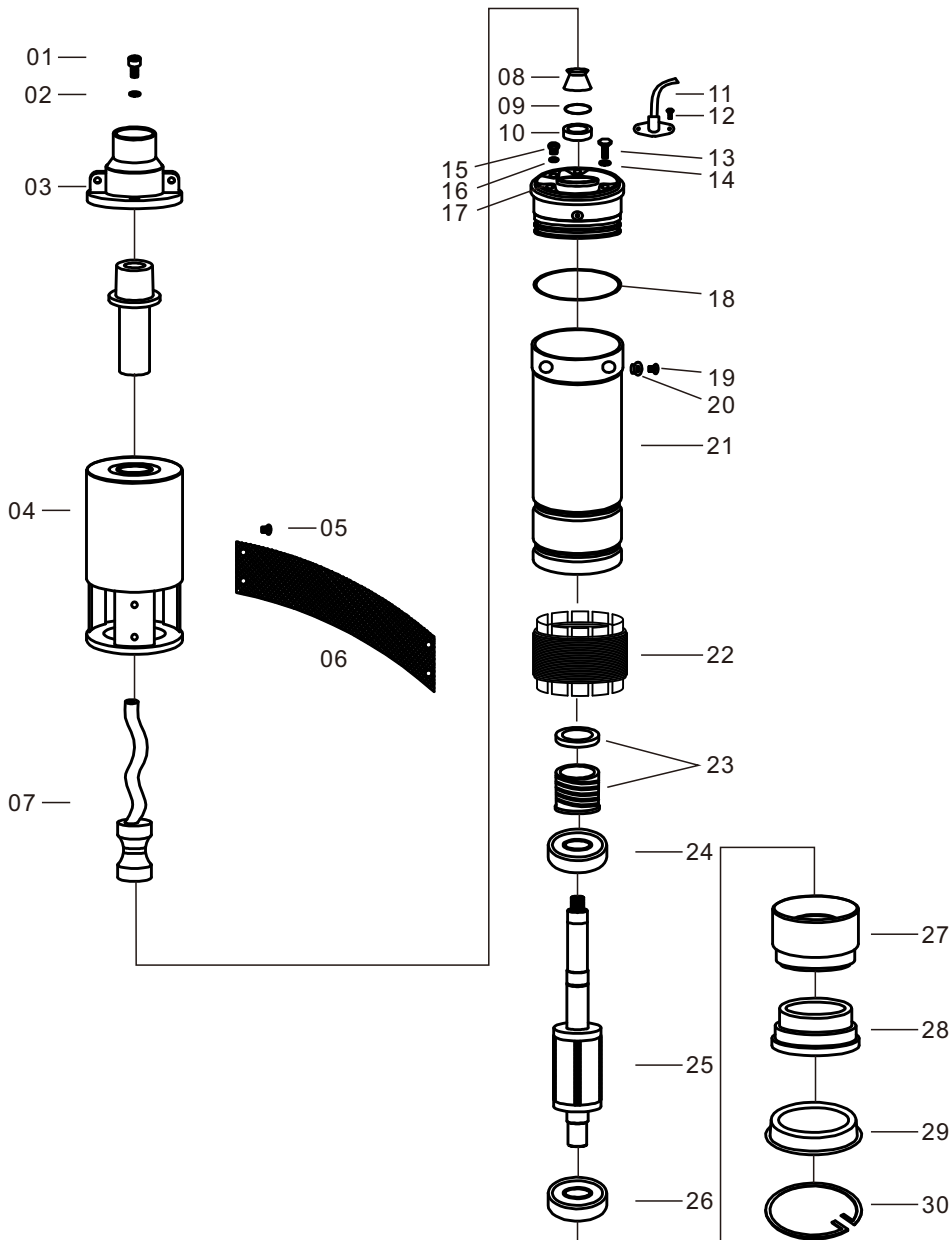


3SS Solar Screw pump



| | |
|----|---------------------------|
| 01 | Screw |
| 02 | Wahser |
| 03 | Outlet |
| 04 | Inlet |
| 05 | Screw |
| 06 | Strainer |
| 07 | Screw |
| 08 | Sand proof cap |
| 09 | Gasket |
| 10 | Static ring |
| 11 | Cable |
| 12 | Screw |
| 13 | Screw |
| 14 | Gasket |
| 15 | Screw |
| 16 | "O" ring |
| 17 | Oil chamber |
| 18 | "O" ring |
| 19 | Screw |
| 20 | Locking ring |
| 21 | Motor pipe |
| 22 | Motor stator |
| 23 | Mechanical seal |
| 24 | Deep groove ball bearings |
| 25 | Motor rotor |
| 26 | Deep groove ball bearings |
| 27 | Bearing seat |
| 28 | Rubber cup |
| 29 | End cover |
| 30 | Clamping spring |