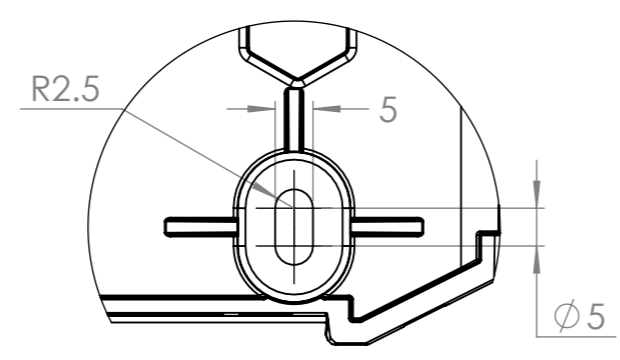


**DETAIL A**  
SCALE 1:1



**DETAIL B**  
SCALE 1:1

Dimensions in mm

**victron energy**  
BLUE POWER