

## Ground Screw

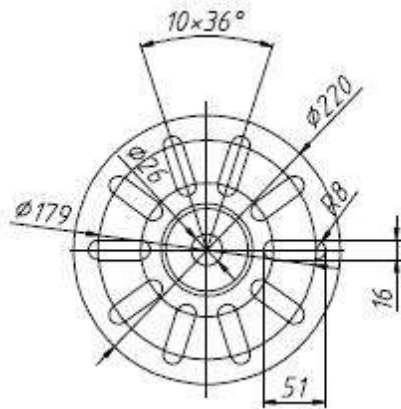
### 1. General



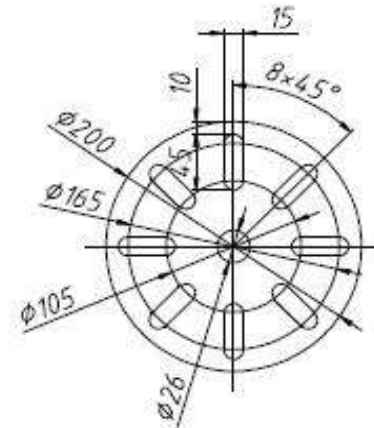
L: with various length from 1.6m-3m, most common use length is 1.6m, with tube thickness as 3mm, normal with around 200mm exposed above the ground level when installation;

D: Diameter of the Flange, different flange will request different attachment

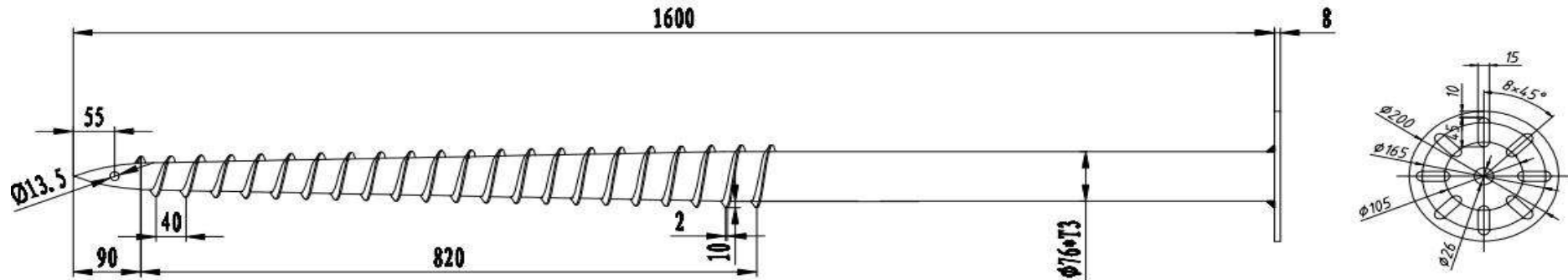
Flange diameter as 220mm, with 10slots



Flange diameter as 200mm, with 8slots



2. Sample design drawing of ground screw(1.6m):



3. Pulling Force:

Type	Tube diameter (mm)	Tube thickness (mm)	Length (mm)	Flange Size (mm)	Pulling Force (KN, with ground screw exposed above ground 200mm)																					
					(Clay soil value of N)										(Sandy soil value of N)											
					2	3	4	5	6	7	8	9	10	15	25	2	3	4	5	6	7	8	9	10	15	25
AT76xT3.5x1200	76	3.5	1200	220	2.8	4.6	6.5	8.3	10.2	12.0	13.8	15.7	17.5	26.8	45.2	4.6	6.0	7.4	8.8	10.2	11.5	12.9	14.3	15.7	22.6	36.5
AT76xT3.5x1400	76	3.5	1400	220	3.7	6.2	8.7	11.2	13.6	16.1	18.6	21.1	23.6	36.0	60.8	6.2	8.1	9.9	11.8	13.6	15.5	17.4	19.2	21.1	30.4	49.0
AT76xT3.5x1600	76	3.5	1600	220	4.3	7.2	10.1	13.0	15.9	18.8	21.7	24.6	27.5	41.9	70.8	7.2	9.4	11.6	13.7	15.9	18.1	20.2	22.4	24.6	35.4	57.1
AT76xT3.5x1800	76	3.5	1800	220	5.0	8.3	11.6	15.0	18.3	21.6	25.0	28.3	31.6	48.2	81.5	8.3	10.8	13.3	15.8	18.3	20.8	23.3	25.8	28.3	40.8	65.7
AT76xT3.5x2000	76	3.5	2000	220	5.8	9.6	13.4	17.3	21.1	25.0	28.8	32.7	36.5	55.7	94.1	9.6	12.5	15.4	18.3	21.1	24.0	26.9	29.8	32.7	47.1	75.9
AT76xT3.5x2200	76	3.5	2200	220	6.4	10.6	14.9	19.1	23.4	27.6	31.9	36.1	40.4	61.7	104.2	10.6	13.8	17.0	20.2	23.4	26.6	29.8	33.0	36.1	52.1	84.0
AT76xT3.5x2500	76	3.5	2500	220	7.3	12.2	17.0	21.9	26.8	31.6	36.5	41.4	46.2	70.6	119.2	12.2	15.8	19.5	23.1	26.8	30.4	34.1	37.7	41.4	59.6	96.1
AT76xT3.5x3000	76	3.5	3000	220	8.8	14.7	20.6	26.5	32.4	38.3	44.2	50.1	55.9	85.4	144.3	14.7	19.1	23.6	28.0	32.4	36.8	41.2	45.6	50.1	72.1	116.3
AT76xT3x1200	76	3	1200	200	2.8	4.6	6.5	8.3	10.2	12.0	13.8	15.7	17.5	26.8	45.2	4.6	6.0	7.4	8.8	10.2	11.5	12.9	14.3	15.7	22.6	36.5
AT76xT3x1400	76	3	1400	200	3.7	6.2	8.7	11.2	13.6	16.1	18.6	21.1	23.6	36.0	60.8	6.2	8.1	9.9	11.8	13.6	15.5	17.4	19.2	21.1	30.4	49.0
AT76xT3x1600	76	3	1600	200	4.3	7.2	10.1	13.0	15.9	18.8	21.7	24.6	27.5	41.9	70.8	7.2	9.4	11.6	13.7	15.9	18.1	20.2	22.4	24.6	35.4	57.1
AT76xT3x1800	76	3	1800	200	5.0	8.3	11.6	15.0	18.3	21.6	25.0	28.3	31.6	48.2	81.5	8.3	10.8	13.3	15.8	18.3	20.8	23.3	25.8	28.3	40.8	65.7
AT76xT3x2000	76	3	2000	200	5.8	9.6	13.4	17.3	21.1	25.0	28.8	32.7	36.5	55.7	94.1	9.6	12.5	15.4	18.3	21.1	24.0	26.9	29.8	32.7	47.1	75.9
AT76xT3x2200	76	3	2200	200	6.4	10.6	14.9	19.1	23.4	27.6	31.9	36.1	40.4	61.7	104.2	10.6	13.8	17.0	20.2	23.4	26.6	29.8	33.0	36.1	52.1	84.0
AT76xT3x2500	76	3	2500	200	7.3	12.2	17.0	21.9	26.8	31.6	36.5	41.4	46.2	70.6	119.2	12.2	15.8	19.5	23.1	26.8	30.4	34.1	37.7	41.4	59.6	96.1
AT76xT3x3000	76	3	3000	200	8.8	14.7	20.6	26.5	32.4	38.3	44.2	50.1	55.9	85.4	144.3	14.7	19.1	23.6	28.0	32.4	36.8	41.2	45.6	50.1	72.1	116.3

#### 4. Attachment& installation:

Attachment assembly note

