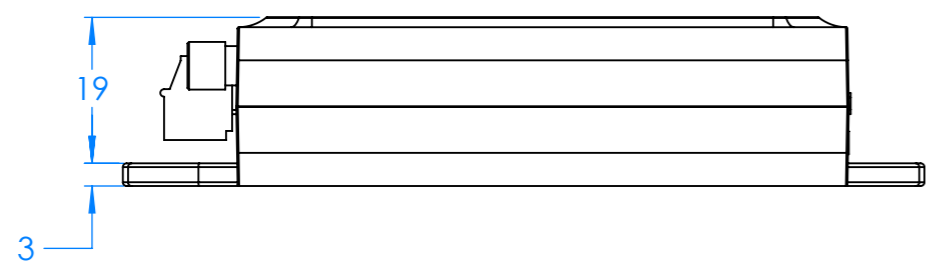
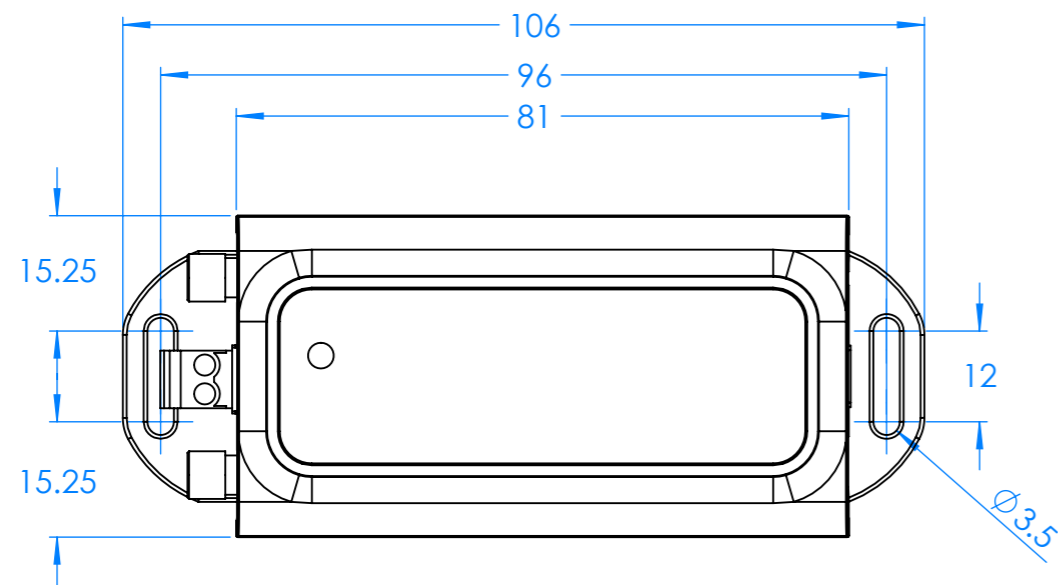


| Dimension Drawing - GX GSM | |
|----------------------------|--------------|
| GSM100100400 | GX LTE 4G-E |
| GSM100200400 | GX LTE 4G-A |
| GSM100300400 | GX LTE 4G-SA |



Dimensions in mm

